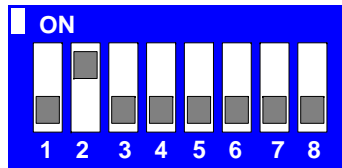
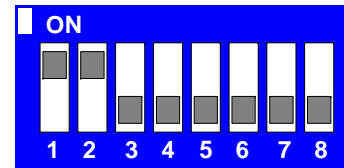


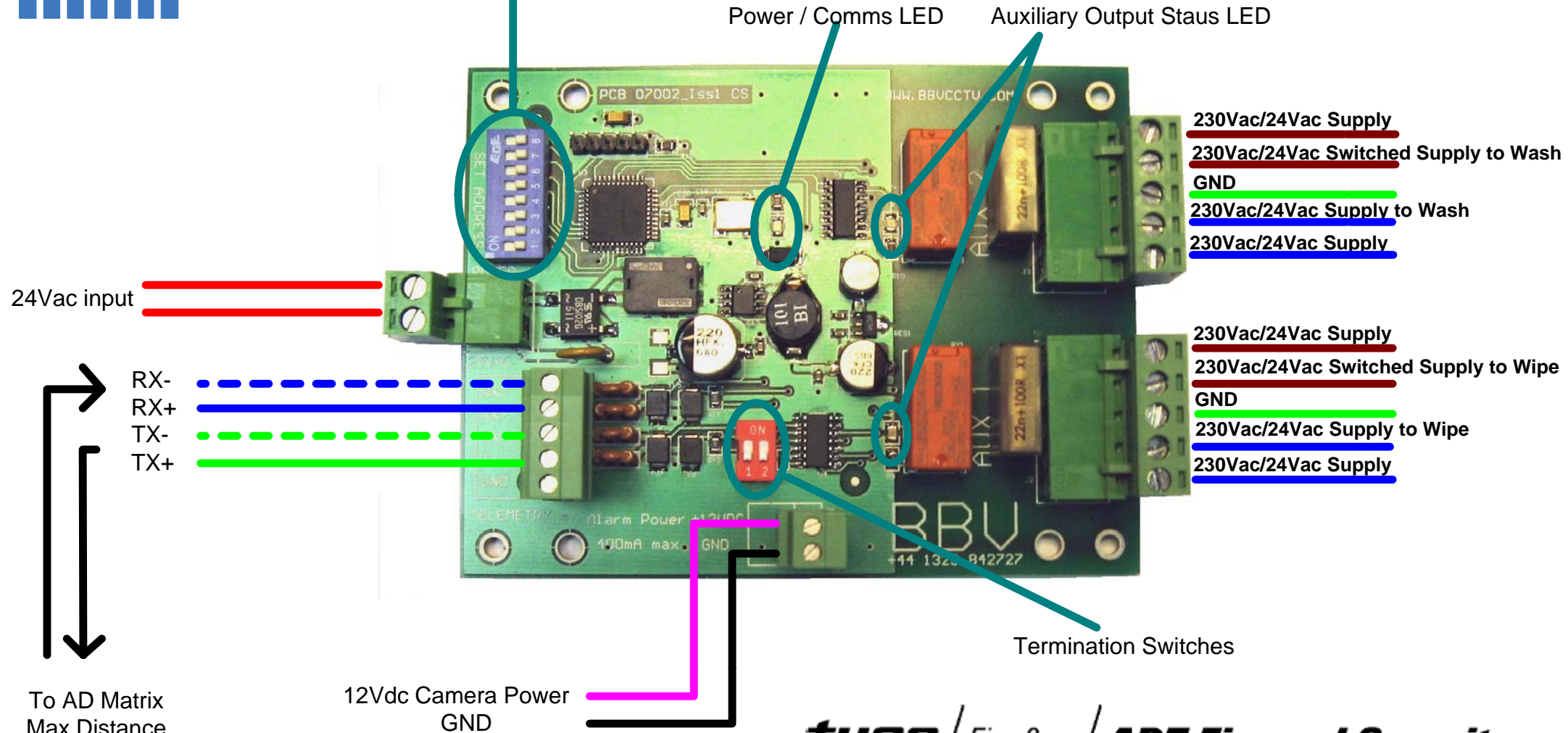
Address 1



Address 2



Address 3



24Vac input

RX-
RX+
TX-
TX+

12Vdc Camera Power
GND

Power / Comms LED

Auxiliary Output Status LED

230Vac/24Vac Supply
230Vac/24Vac Switched Supply to Wash
GND
230Vac/24Vac Supply to Wash
230Vac/24Vac Supply

230Vac/24Vac Supply
230Vac/24Vac Switched Supply to Wipe
GND
230Vac/24Vac Supply to Wipe
230Vac/24Vac Supply

Termination Switches

To AD Matrix
Max Distance
= 1200mtrs



Building Block Video Ltd (AD RS422 Wash Wipe Receiver Connections 18th April 07.pjc)

17 Apex Park, Diplocks Industrial Estate, Hailsham, East Sussex, UK. BN27 3JU.Tel:+44(0)1323 842727 Fax:+44 (0)1323 842728 Support:+44(0)1323 444600 www.bbvccv.com